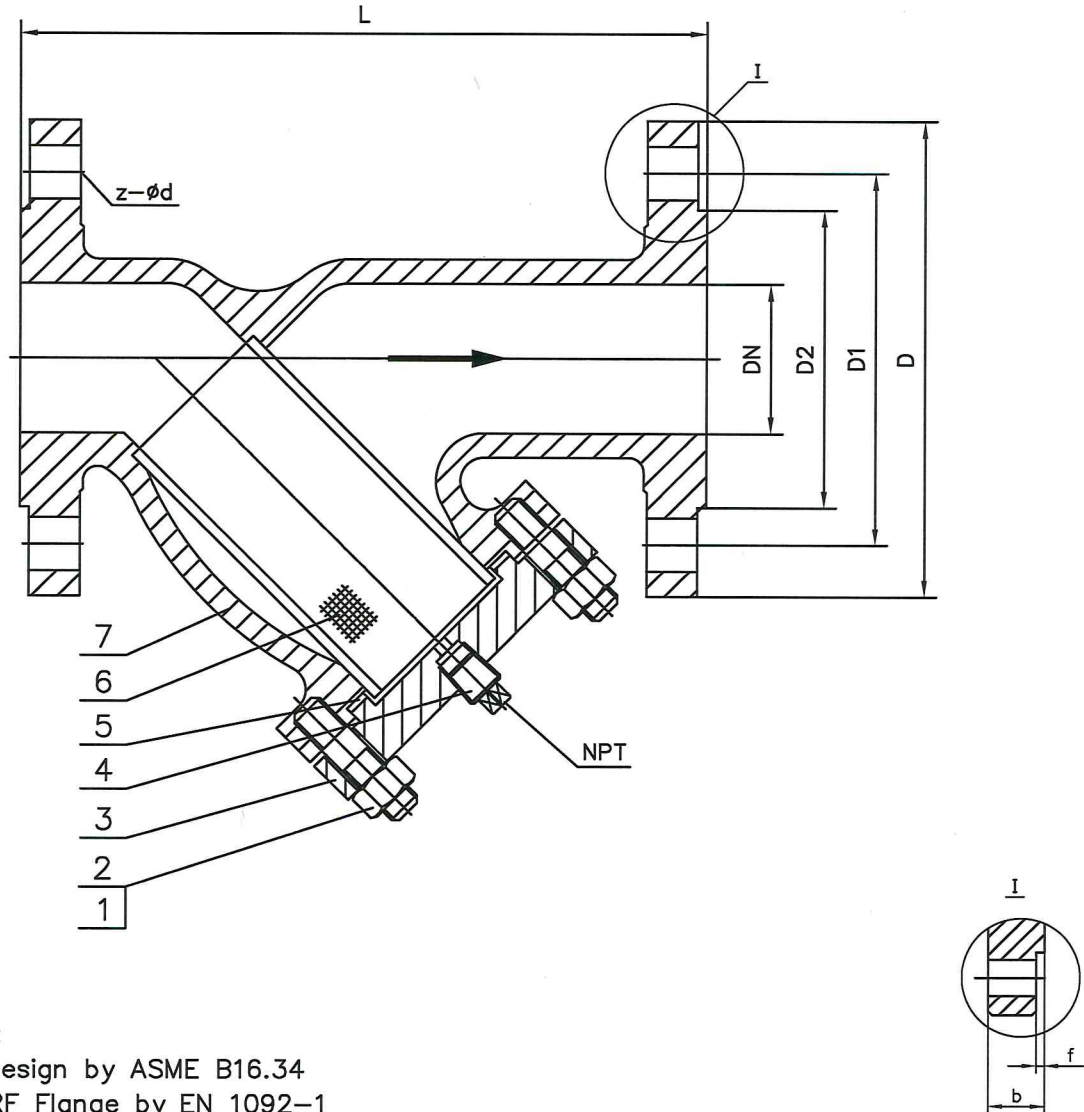


Performance Specification			
PN	40		
Test Pressure	Shell test	5.9	MPa
	Seal test	-	
	Back seal Test	-	
	Air Seal Test	-	

NPS	DN	Typical Dimensions				PN40 Flange Dimensions					
		L	-	-	-	D	D1	D2	b	f	z- $\phi$ d
-	25	160	-	-	-	115	85	68	18	2	4-14
-	50	230	-	-	-	165	125	102	20	3	4-18
-	80	310	-	-	-	200	160	138	24	3	8-18
-	100	350	-	-	-	235	190	162	24	3	8-22



Notice:

- 1.Design by ASME B16.34
- 2.RF Flange by EN 1092-1
- 3.Valves tested by EN 12266-1
4. 1mm width of opening

NO	PART NAME	MATERIAL	REMARKS	STRAINER VALVE, Y-TYPE				FIG NO
7	Body	A351-CF3		DESIGN BY Chenjc 20200407				CHINA · BAOYI (VALVE) GROUP
6	Filter Screen	SS304						
5	Gasket	FLEXIBLE GRAPHITE/304		CHECKED BY				DRAWING NO
4	Plug Fitting	SS304L		STANDARD BY				
3	Bonnet	SS304L		APPROVED BY				
2	Bonnet Bolt	ASTM A194 Gr.8		THE USER CONFIRM				DATE
1	Bonnet Bolt Nut	ASTM A193 Gr.B8						